

Plug PowerTOP Xtra G

Part number: 13351



MENNEKES
Elektrotechnik GmbH & Co. KG

Aloys-Mennekes-Straße 1
57399 Kirchhundem
GERMANY

www.MENNEKES.org

Product Description

- screw connection technology ErgoCONTACT
- economic enclosure design with nubbed grip areas
- enclosure with thread lock and safety slide
- highly heat resistant contact carrier, nickel plated contacts
- protection against kinking
- strain relief
- rubberised cable gland with sealing
- area for self-adhesive labels
- with protective grommet to prevent dirt from accumulating

Technical Details

Plug PowerTOP Xtra G	13351
Product serie	PowerTOP Xtra G
Ampere	16A
Number of poles	3p
Clock position	6h
Nominal voltage AC	230V
Nominal frequency	50 - 60 Hz
Protection type IP	IP54
Contact carrier	highly heat resistant contact carrier, nickel plated contacts
Connection	screw terminals - ErgoCONTACT
Contact screw drive	PZ2, slot
Tightening torque connection terminal	1.2 Nm
Recommended wire end treatment for supply cable connection terminal	ferrule square gasproof crimped
Strip length jacket	55 mm
Strip length conductor	10 mm
Phase inverter	without phase inverter
Pilot contact	without pilot contact
Conductor cross-section min.	1 mm ²
Conductor cross-section max.	2.5 mm ²
Cable kink protection	integrated in cable gland
Protective grommet	with protective grommet
Protective cap	without protective cap

Plug PowerTOP Xtra G	13351
Weight (net)	172 g
Packaging unit	10 pcs
Quantity per pallet	1120 pcs
EAN / identification number	4015394310228

Permissible ambient conditions

	Min.	Max.
Permanent ambient temperature	-25 °C	40 °C

Material properties

Cover	PA6 blue [similar RAL 5007]
Front part	PA6 blue [similar RAL 5007]
Clamp basket	PA6 natural colour [no RAL colour code]
	TPE squirrel grey [similar RAL 7000]
Fastening	PA6 squirrel grey [similar RAL 7000]
	TPE anthracite [similar RAL 7016]

Material resistance

The material resistance overview can be found on the website in the section “Knowledge” - “Product knowledge” - “Materials”.

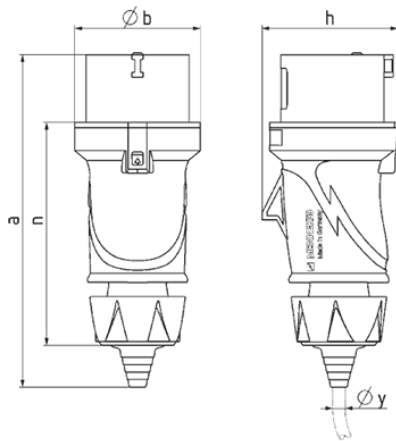
Material and enviromental properties

RoHS 2011/65/EU incl. 2015/863/EU	✓
POP regulation (EU) 2019/1021	✓

Regulations and Standards

Norm	DIN EN IEC 60309-2
Declaration of Conformity	CE

Dimensional Drawing



Drawing	Amp. Poles	16		32
		3	5	5
2 MB 268				
Dim. in mm	a	176	186	224
	b	55	68	78
	h	58	74	86
	n	140	149	178
y min. from		7	8	13.5
to max. mm		-13	-15.5	-20
Terminal for cond. cross		1	1	2.5
section (mm ²) min.-max.		-2.5	-2.5	-6